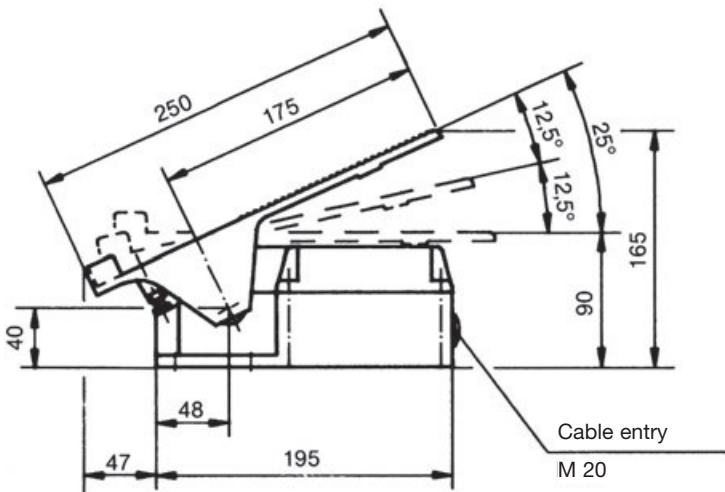


Type P7-1ZP...

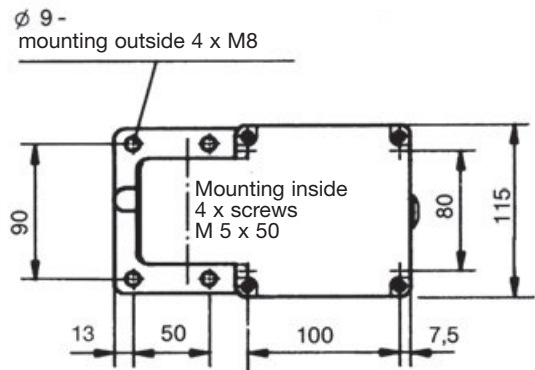
The pedal-controller P 7 and PP 7 is a rugged switching devices to IEC/EN 60947-5-1, for footing applications.

**Contact complement 2 A 250 V AC 15 or 3 A 24 V DC 13**

Surface treatment		Primer, top coat: 2 coats of epoxy-resin paint, standard colour RAL 7032 pebble-grey textured varnish
Mechanical life	P 7 PP 7	6 million operating cycles 10 million operating cycles
Permissible ambient temperature		Operation -40° C to +60° C Storage -50° C to +80° C
Climate resistance		IEC 60068-2-78
Damp heat constant		IEC 60068-2-30
Damp heat cyclic		IP 54 IEC/EN 60529
Degree of protection	P 7 PP 7	IP 65 IEC/EN 60529



View at the top without rocker

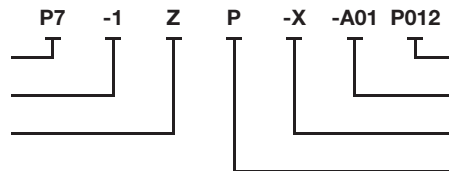


Example for type-sign

Pedal-controller

No. of contacts

Spring return



Potentiometer description

Arrangement

special please describe

Potentiometer e.t.c.

Pos.		Type-expansion	Weight gramm	Type	Price EURO
1	Pedal-controller standard version		1700	P 7	
2	Pedal-controller heavy-duty version		1800	PP 7	
4	Switching sequence max. 0-4 or max. 2-0-2		150		
8	No. of contacts (microswitch) max. 6 pcs.		30	1	
9	Switching program according contact-arrangement MS look catalog 4/001	A...	40	2	
10	or to your contact-arrangement		50	3	
11	Spring return in 0-position		100	Z	
12	Friction brake		50	R	
15	Potentiometer e.t.c. with mounted Wire-wound potentiometer T 129 linear 1,5 Watt wiper current max. 10 mA resistance 1k $\cong$ P012, 2k $\cong$ P013, 4k $\cong$ P014, 10k $\cong$ P015	P01 □	70	P	
16	Prepared for mounting potentiometer shaft 6 mm adjusting-angel 300°			(P)	
17	More potentiometer e.t.c. look catalog 1/240ff	P...			