



Type S22LT-2ZP-...

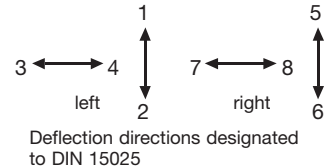
The single-axis controller S 22 is a rugged switching device according IEC/EN 60947-5-1 for electro-hydraulic applications. The modular design enables the switching device to be used universally. The S 21 is resistant to oil, maritime climate, ozone and UV radiation.

Contact complement 2 A 250 V AC 15 or 3 A 24 V DC 13

Mechanical life S 22 6 million (operating cycles)
 Mechanical life SS 22 10 million (operating cycles)
 Permissible ambient temperature Operation -40° C to +60° C
 Storage -50° C to +80° C

Climate resistance
 Damp heat constant IEC 60068-2-78
 Damp heat cyclic IEC 60068-2-30
 Degree of protection front IP 54 IEC/EN 60529
 Technical data see catalog 4/100
 Description data see catalog 4/020

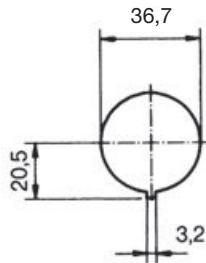
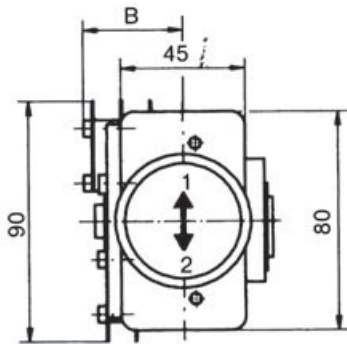
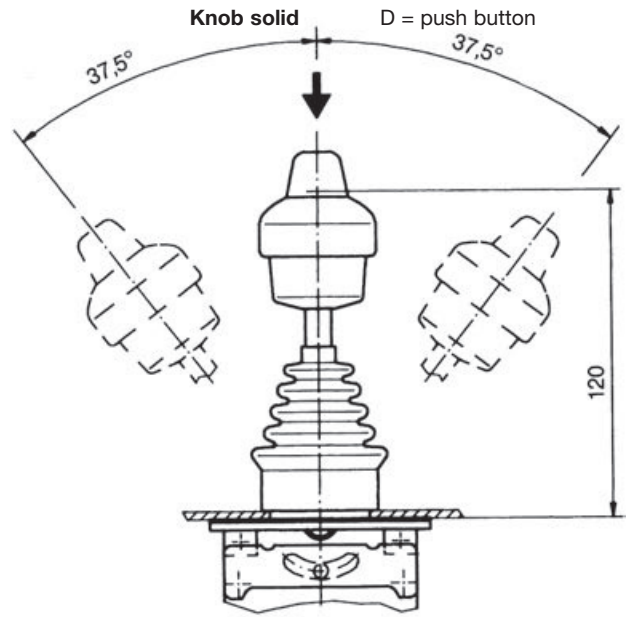
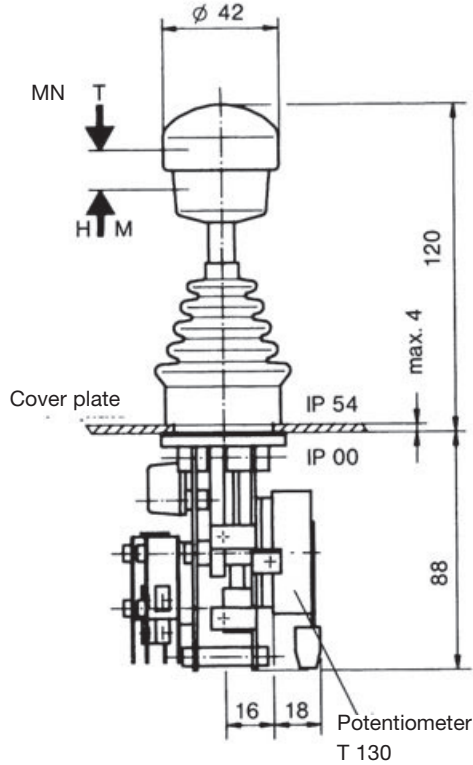
Spindle block with schematic representation of the master controller installation and deflection directions. Version shown for left-hand side installation (right-hand side installation is mirror image).



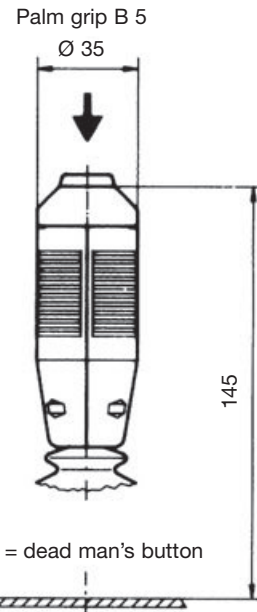
Pos.	S 22	Type expansion		Weight gramm	Type	Price EURO
1				600	S 22	
2				650	SS 22	
3						
4						
5						
7.1	Single-axis controller left (dir. 1-2, 3-4)				L	
7.2	Single-axis controller right (dir. 5-6, 7-8)				R	
20	Control-handle with knob solid					
21	Control-handle with latch for mechanical zero interlock					
21.1	by lifting			50	M	
21.4	by pushing down			50	MN	
21.5	Mechanical zero interlock with command devices see catalog 1/274					
22	Control-handle with dead man's button 1 NO			50	T	
23	Control-handle with signal button 1 NO			50	H	
24	Control-handle with push button 1 NO			60	D	
25	Control-handle with flat push button 1 NO			60	DV	
26	Control-handle with palm grip B 1			40	B 5	
27	Control-handle with palm grip B 1 with push button top 1 NO			60	B 5T	
28	Control-handle long or short					
28.2	-20 mm				S5	
28.3	+20 mm				S8	
29	More knobs, grips and T-grips with and without signal devices see catalog 1/270ff					
30	Masterswitch (contact) switching sequence -0-		No. of contacts	1	1	
31				2	2	
32				3	3	
33	Switching program according contact-arrangement MS... see catalog 4/001	A...		4	4	
34	or to your contact-arrangement					
35						
36	Switching sequence 2-0-2					
38	Spring return in 0-position (for each direction)			20	Z	
39	Friction brake adjustable (for each direction)			20	R	
40	Potentiometer e.t.c. each direction with mounted Wire-wound potentiometer T 130, with centre tap, 1,5 Watt wiper current max. 10 mA resistance 2 x 0,5k \cong P021, 2 x 1k \cong P022, 2 x 2k \cong P023, 2 x 5k \cong P024, 2 x 10k \cong P025	...P02 \square		70	P	
41	Prepared for mounting potentiometer shaft 6 mm adjusting-angle 2 x 150°				(P)	
42	Prepared for mounting potentiometer e.t.c. adjusting-angle variable.				(P)	
43	more Potentiometer e.t.c. see catalog 1/240ff	C..., P...				
50	Steel sheet housing B 200 masterswitch Gr. 4			1300	B	
51						
52	More housing see catalog 1/350					
60	Indicating labels not engraved with 2 arrows					
61	Engraving, each 10 characters					
70	Command and indicating devices see catalog 1/360					



T = dead man's button
H = signal button
M = latch for mechanical zero interlock



Hole pattern



Type	No. of contacts	Dimension B
1	1	25
2	2	31
3	3	36
4	4	42

