



Type V14L-03Z+00CZ-...

The multi-axis controller V 14 is a rugged switching device according IEC/EN 60947-5-1 for remote control and hoisting applications.

The V 14 is resistant to oil, maritime climate, ozone and UV radiation.

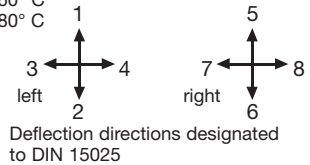
Contact complement 2 A 250 V AC 15 or 1 A 24 V DC 13 with positive opening operation

Mechanical life 6 million (operating cycles)
Permissible ambient temperature Operation -40° C to +60° C
Storage -50° C to +80° C

Climate resistance IEC 60068-2-78
Damp heat constant IEC 60068-2-30
Damp heat cyclic IEC 60068-2-30
Degree of protection front IP 65 IEC/EN 60529

Description data see catalog 4/020
Spindle block with schematic representation of the master controller installation and deflection directions.

Version shown for left-hand side installation (right-hand side installation is mirror image).

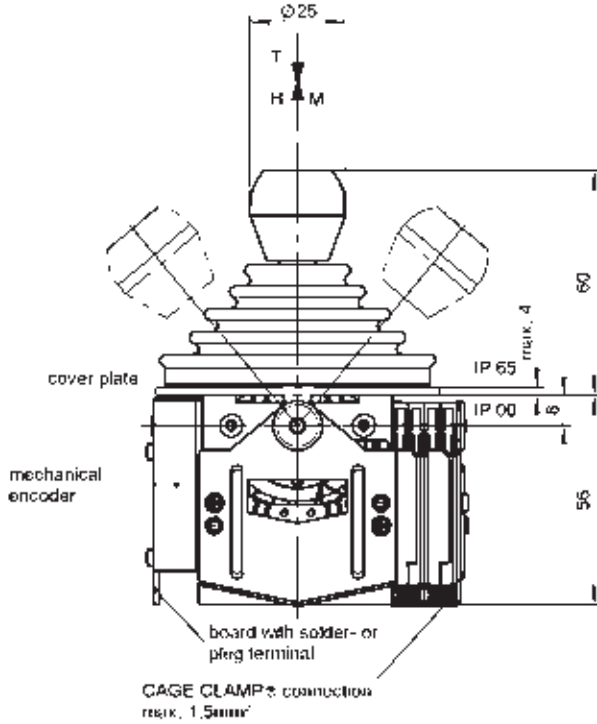


1

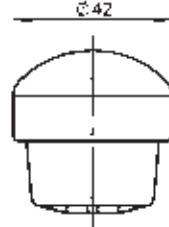
Pos.	V 14.1	V 14	Type expansion	Weight gramm	Type	Price EURO
1	1	1		175	V 14.1	
2	↑	↑				
3	○	3 ← ○ → 4		200	V 14	
4	↓	↓				
5	2	2				
7.1	Multi-axis controller left	(dir. 1-2, 3-4)			L	
7.2	Multi-axis controller right	(dir. 5-6, 7-8)			R	
10	Gate cross-shaped	(prohibits diagonal shifting)		20	P	
11	Gate special-shaped	(e.g. H-gate)		20	PX	
20	Control-handle with knob solid					
21	Control-handle with latch for mechanical zero interlock					
21.1	by lifting (knob 25mm Ø)			50	M	
21.3	by lifting, interlocking the joint bracket (knob 42mm Ø)			60	MP	
21.4	by pushing down (knob 42mm Ø)			50	MN	
21.5	Mechanical zero interlock with command devices see catalog 1/274					
22	Control-handle with dead man's button	1 NO				
22.1	with knob 25mm Ø			80	T	
22.2	with knob 42mm Ø			90	T	
23	Control-handle with signal button	1 NO				
23.1	with knob 25mm Ø			80	H	
23.2	with knob 42mm Ø			90	H	
24	Control-handle with push button (knob 42mm Ø)	1 NO		90	D	
25	Control-handle with flash push button (knob 42mm Ø)	1 NO		90	DV	
28.3	Control-handle long +20 mm				S8	
29	More knobs, grips and T-grips with and without signal devices see catalog 1/270ff					
30	Masterswitch (contact set) switching sequence 4-0-4 adjustable (with encoder 6-0-6)		No. of contacts 2	70	01	
31			4	130	02	
32	Direction 1-2 and 3-4 each 1 masterswitch		6	190	03	
33	Switching program according contact-arrangement MS... see catalog 4/001		A...			
34	or to your contact-arrangement					
38	Spring return in 0-position	(included in the spindle block)			Z	
39	Friction brake adjustable	(for each direction)			R	
40	Set point encoder for redundant hallsensors with electronic, magnet KEM, each direction, with mounted		E411			
41	Elektronic voltage output 0,5-2,5-4,5 Volt (+5 mA) output characteristic linear power supply 4,6-5,5 Volt DC		E631			
42	Elektronic output power 4-20 mA output characteristic linear power supply 18-30 Volt DC					
44	Mechanical encoder with mounted direction 1-2 and 3-4 each 1 encoder life 5 x 106 switching cycles, 0,5 Watt wiper current max. 1 mA with solder- or plug terminal		C61	30	C	
45	Mechanical encoder MEC 1-2 male connector EA/02-10 contact-arrangement MS 26-0 see catalog 4/001		C62	20	C	
46	Conductive-plastic potentiometer with centre tap linear resistance 2 x 10 kOhm					
47	Mechanical encoder MEC 1-7 male connector EA / 10-10 contact-arrangement MS 26-0-1 see catalog 4/001		C63	30	C	
48	Conductive-plastic potentiometer with centre tap linear resistance 2 x 5 kOhm		C64	30	C	
49	Mechanical encoder MEC 1-6 male connector EA / 09-10, 6 Bit Gray-Code		C65	30	C	
50	Mechanical encoder MEC 1-6-5 male connector ER / 36-10		C66	30	C	
51	Power supply 24 V DC, output power impressed 4-20 mA					
52	Mechanical encoder MEC 1-6-8 male connector ER / 36-12					
53	Power supply 24 V DC, output power impressed 0-20 mA					
54	Mechanical encoder MEC 1-10 male connector EA / 17-10					
55	contact-arrangement MS21-0 + MS21 see catalog 4/001					
56	Conductive-plastic potentiometer with centre tap, Linear resistance 2 x 1,5 kOhm					
57	Housing see catalog 1/350					
58	Indicating labels not engraved with 2 or 4 arrows					
59	Engraving, each 10 characters					
60	Command and indicating devices see catalog 1/360					



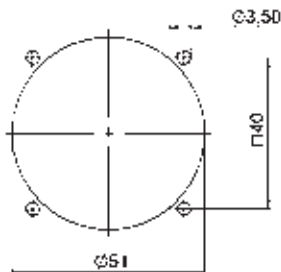
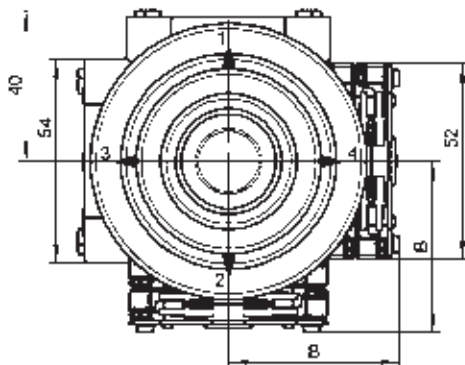
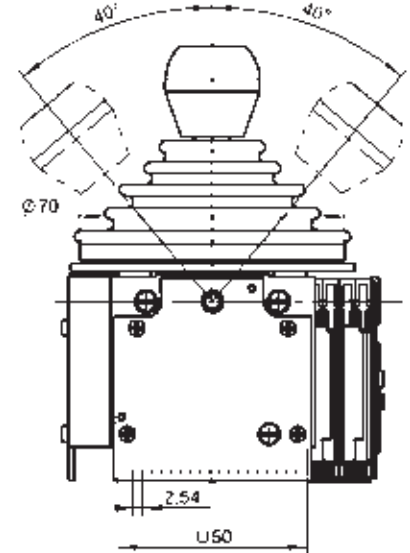
T = dead man's button
H = signal button
M = latch for mechanical zero interlock



knob GK
for MP, MN, T, H, D, DV



knob GSP
see catalog 1/277 Pos. 5
for the 3rd direction 11-12



hole pattern

type	no. of contacts	dimension B
01	2	36
02	4	45
03	6	54

