

Type V20L-0ZC+0ZC-...

The multi-axis controller V 20 is a rugged switching device according IEC/EN 60947-5-1 for remote control and other applications.

The V 20 is resistant to oil, maritime climate, ozone and UV radiation.

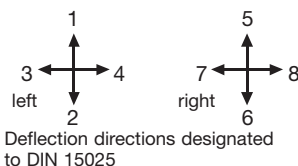
Mechanical life 3 million (operating cycles)  
Permissible ambient temperature Operation -30° C to +70° C  
Storage -50° C to +80° C

Climate resistance IEC 60068-2-78  
Damp heat constant IEC 60068-2-30  
Damp heat cyclic IEC 60068-2-30  
Degree of protection front IP 65 IEC/EN 60529

Description data see catalog 4/020

Spindle block with schematic representation of the master controller installation and deflection directions.

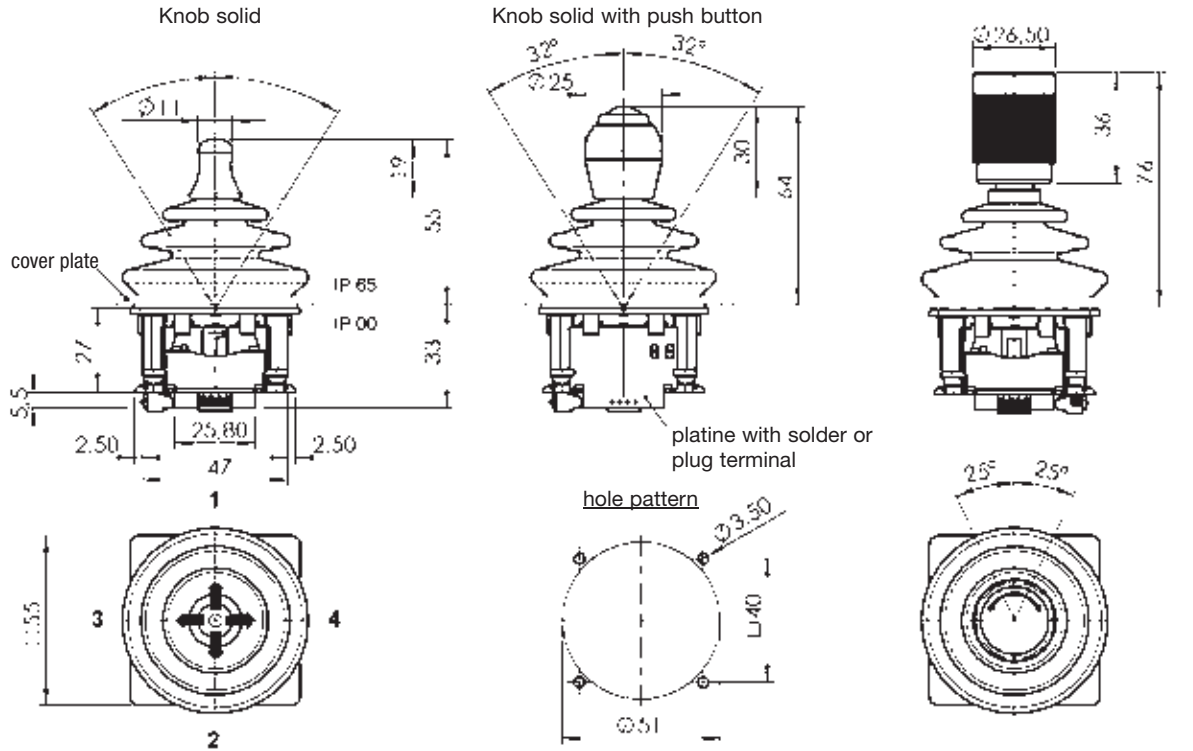
Version shown for left-hand side installation (right-hand side installation is mirror image).



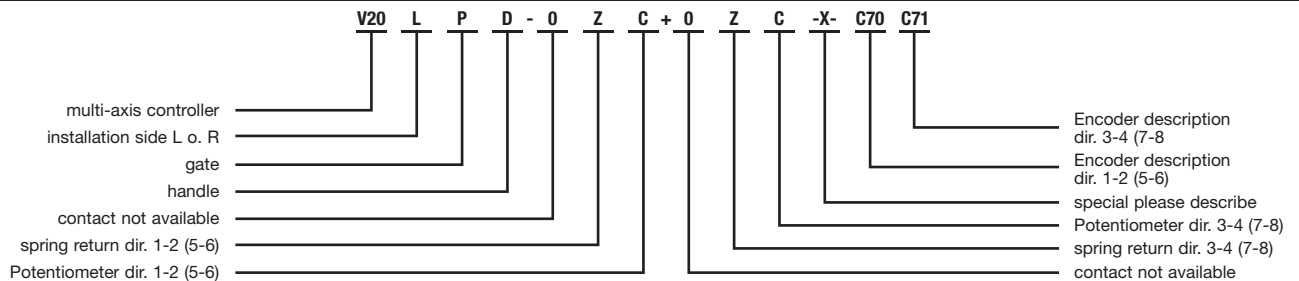
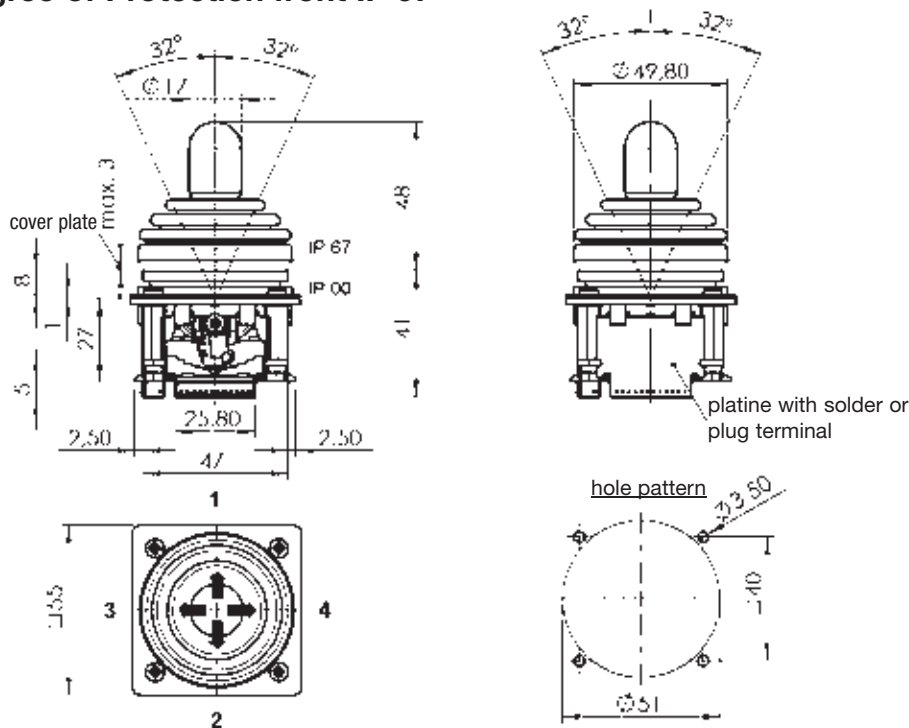
| Pos. | V 20.1   | V 20  | Type expansion | Weight gramm | Type   | Price EURO |
|------|--|---|----------------|--------------|--------|------------|
| 1    |  |   |                | 80           | V 20.1 |            |
| 2    |  |   |                |              |        |            |
| 3    |  |   |                | 90           | V 20   |            |
| 4    |  |   |                |              |        |            |
| 5    |  |   |                |              |        |            |
| 6    | Degree of Protection, front IP67 by bellow   |   |                |              |        |            |
| 7.1  | Multi-axis controller left   | (dir. 1-2, 3-4)                                     |                |              | L      |            |
| 7.2  | Multi-axis controller right  | (dir. 5-6, 7-8)                                     |                |              | R      |            |
| 9    | Gate open-shaped   | for open shifting switching sequence 1-0-1 to 3-0-3 |                |              | P      |            |
| 10   | Gate cross-shaped  | (prohibits diagonal shifting)                       |                |              | PX     |            |
| 11   | Gate special-shaped  | (e.g. H-gate)                                       |                |              |        |            |
| 20   | Control-handle with knob solid   |   |                |              |        |            |
| 24   | Control-handle with push-button  |   |                | 50           | D      |            |
| 29   | More knobs, grips and T-grips with and without signal devices see catalog 1/270ff  |   |                |              |        |            |
| 30   | without switching sequence   |   |                |              |        |            |
| 36   | switching sequence 4-0-4   |   |                |              |        |            |
| 38   | Spring return in 0-position (included in the spindle block)  |   |                |              | Z      |            |
| 40   | Set point encoder for redundant hallsensors with electronic, magnet KEM, each direction, with mounted  |   | E411           |              |        |            |
| 41   | Electronic voltage output 0,5-2,5-4,5 Volt (+5 mA)<br>output characteristic linear power supply 4,6-5,5 Volt DC  |   | E631           |              |        |            |
| 44   | Mechanical encoder with mounted direction 1-2 and 3-4 each 1 encoder<br>life 3 x 106 switching cycles<br>0,5 Watt wiper current max. 1 mA<br>with solder or plug terminal              |   | C 70           | 15           | C      |            |
| 45   | Mechanical encoder MEC 2-1 male connector EA/15-10<br>contact-arrangement MS 224-0 see catalog 4/001   |   | C 71           | 15           | C      |            |
| 46   | Conductive-plastic potentiometer with centre tap linear resistance 2 x 5 kOhm<br>Mechanical encoder MEC 2-2 male connector EA / 11-10<br>contact-arrangement MS 24-0 see catalog 4/001 |   | C 72           |              |        |            |
| 50   | Cover housing KBQ 905 (IP65)   |   |                |              |        |            |
| 52   | Housing see catalog 1/350  |   |                |              |        |            |
| 60   | Indicating labels not engraved with 2 or 4 arrows  |   |                |              |        |            |
| 61   | Engraving, each 10 characters  |   |                |              |        |            |
| 70   | Command and indicating devices see catalog 1/360   |   |                |              |        |            |



**Degree of Protection front IP 65**



**Degree of Protection front IP 67**



1