



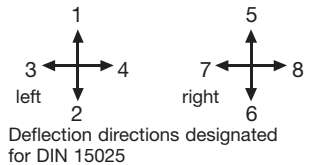
Type V21

The Multi-axis controller V 21 is a rugged switching device according IEC/EN 60947-5-1 for electro-hydraulic applications. The V 21 is resistant to oil, maritime climate, ozone and UV radiation. The V 21 has a highly flexible single wire 0,1 mm<sup>2</sup> x 450 mm long.

Mechanical life 5 million (operating cycles)  
operating force 1,6 N up to 3,5 N  
max. load 200 N  
permissible ambient temperature operation -40° C to +60° C  
storage -50° C to +80° C

climate resistance IEC 60068-2-78/30  
damp heat constant/cyclic IP 67 IEC/EN 60529  
degree of protection front

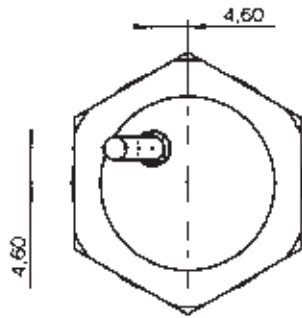
spindle block with schematic representation of the controller installation and deflection directions. Version shown for left-hand side installation (right-hand side installation is mirror image)



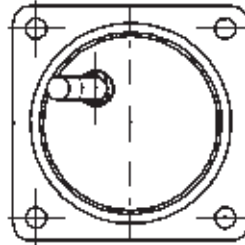
Pos.	V 21.1	V 21	Type-expansion	weight gramm	Type	Price EURO
1				350	V 21.1	
2						
3				350	V 21	
4						
5						
7.1	Multi-axis controller left	(dir. 1-2, 3-4)			L	
7.2	Multi-axis controller right	(dir. 5-6, 7-8)			R	
8	mounting from the top with hexagonal nut (standard)				A	
8.1	mounting from below with flange				B	
8.2	mounting from the top with flange				P	
10	Gate cross-shaped	(prohibits diagonal shifting)			PX	
11	Gate special-shaped				G 99	
20	Knob KBAD 980					
36	switching sequence 4-0-4					
38	spring return in 0-position	(included in the spindle block)			Z	
40	Setpoint device Magnet for redundant hall sensors	(included in the spindle block)			S	
41	Voltage output 0,5-2,5-4,5 Volt electronic for 1 axis redundant	counter rotate ; unidirectional	E471 <input type="checkbox"/>			
42	electronic for 2 axis redundant	counter rotate ; unidirectional	E472 <input type="checkbox"/>			
	Technical data: power supply 5 Volt DC stabilized output 0,5V (+0,1/-0,1V) 2,5V (+0,2/-0,2V) 4,5V (+0,1/-0,1V) output characteristic linear current consumption 28 mA max. 44 mA overvoltage protection to +8,5V/-8,5V for short time +14,4V/-14,4V					
52	Housing see Catalog 1/350					
60	Indicating labels not engraved with 2 or 4 arrows					
61	Engraving, each 10 characters					
70	Command and indicating devices see Catalog 1/360					



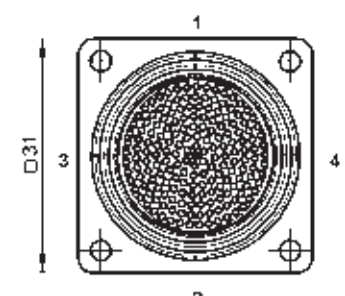
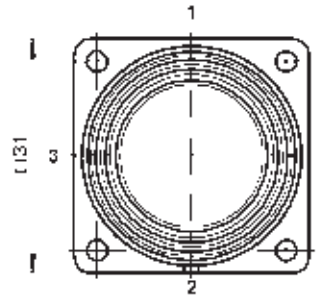
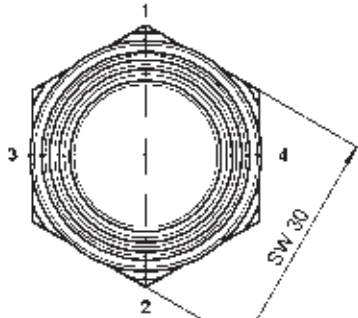
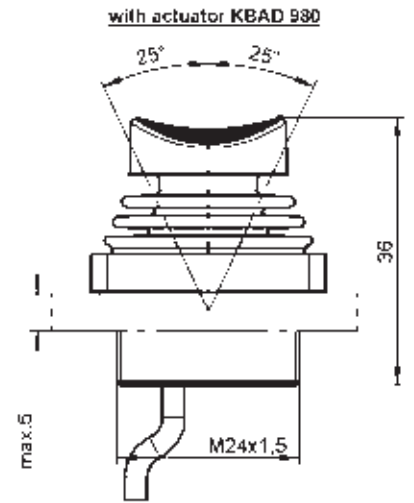
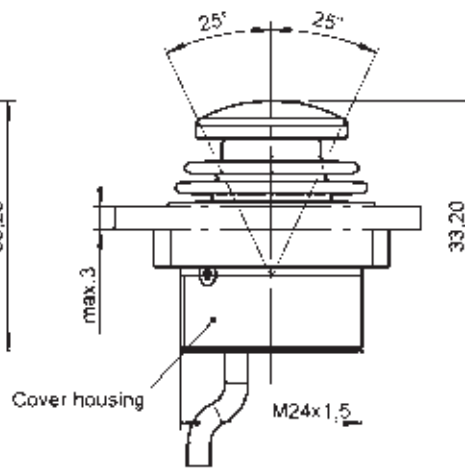
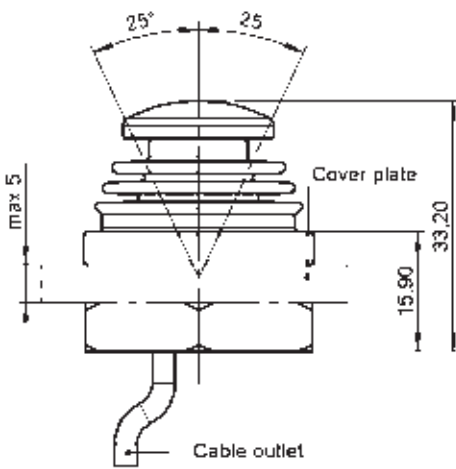
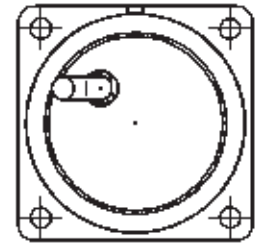
Standard  
mounting from the top



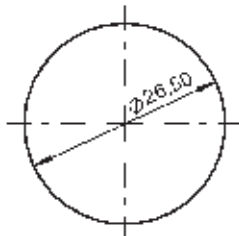
Version A with flange  
mounting from below



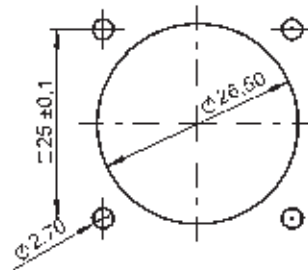
Version B with flange  
mounting from the top



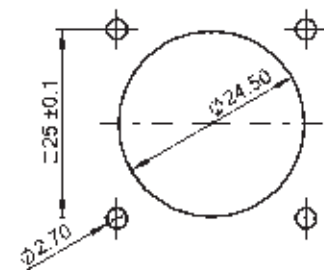
Hole pattern



Hole pattern



Hole pattern



V21 L A P - 0 Z S + 0 Z S -B -X- E

- multi-axis controller
- installation side L o. R
- mounting version
- gate
- contact not available
- spring return dir. 1-2 (5-6)
- Hall sensor dir. 1-2 (5-6)

- Electronic description
- special please describe
- housing
- hall sensor dir. 3-4 (7-8)
- spring return dir. 3-4 (7-8)
- contact not available