



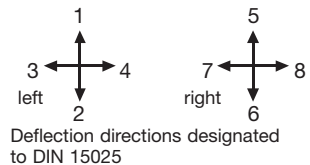
Type V8LB3DSRPA12-2ZP+2ZP-...

The multi-axis controller V 8 is a rugged switching device according IEC/EN 60947-5-1 for electro-hydraulic applications. The modular design enables the switching device to be used universally. The V 8 is resistant to oil, maritime climate, ozone and UV radiation.

Contact complement 0,5 A 110 V AC 15 or 1,5 A 24 V DC 13
I min > 0,2 mA 2 V DC 12 Gold plated for max. load of 0,12 Watt (standard)

Mechanical life V 8 10 million (operating cycles)
 Mechanical life VV 8 20 million (operating cycles)
 Permissible ambient temperature Operation -40° C to +60° C
 Storage -50° C to +80° C
 Climate resistance IEC 60068-2-78
 Damp heat constant IEC 60068-2-30
 Damp heat cyclic
 Degree of protection front IP 54 IEC/EN 60529
 Technical data see catalog 4/100
 Description data see catalog 4/020

Spindle block with schematic representation of the master controller installation and deflection directions.
 Version shown for left-hand side installation (right-hand side installation is mirror image).



Pos.	V 81	V 8	Type expansion		Weight gramm	Type	Price EURO
1					800	V 81	
2					800	VV 81	
3					900	V 8	
4					900	VV 8	
5							
7.1	Multi-axis controller left	(dir. 1-2, 3-4)				L	
7.2	Multi-axis controller right	(dir. 5-6, 7-8)				R	
10	Gate cross-shaped	(prohibits diagonal shifting)			60	P	
11	Gate special-shaped	(e.g. H-gate)			60	PX	
20	Control-handle with knob solid						
21	Control-handle with latch for mechanical zero interlock						
21.1	by lifting				50	M	
21.2	by lifting, interlocking the gate				60	MP	
21.3	by lifting, interlocking in the joint bracket (only VV 8)				60	MP	
21.4	by pushing down				50	MN	
21.5	Mechanical zero interlock with command devices see catalog 1/274						
22	Control-handle with dead man's button 1 NO				100	T	
23	Control-handle with signal button 1 NO				100	H	
24	Control-handle with push button 1 NO				110	D	
25	Control-handle with flat push button 1 NO				110	DV	
26	Control-handle with palm grip B 1				40	B 1	
27	Control-handle with palm grip B 1 with push button top 1 NO				60	B 1T	
28	Control-handle long or short						
28.2		-20 mm				S5	
28.3		+20 mm				S8	
29	More knobs, grips and T-grips with and without signal devices see catalog 1/270ff						
30	Masterswitch (contact) switching sequence -0-			No. of contacts 1	20	1	
31				2	40	2	
32	Direction 1-2 and 3-4 each 1 masterswitch			3	60	3	
33	Switching program according contact-arrangement MS... see catalog 4/001		A...				
34	or to your contact-arrangement						
36	Switching sequence 3-0-3						
38	Spring return in 0-position (for each direction)				30	Z	
39	Friction brake adjustable (for each direction)				30	R	
40	Potentiometer e.t.c. each direction with mounted Conductive-plastic potentiometer T 301, with centre tap linear 0,5 Watt wiper current max. 1 mA resistance 2 x 1k \cong P182, 2 x 2k \cong P183, 2 x 5k \cong P184, 2 x 10k \cong P185 Prepared for mounting potentiometer shaft 6 mm adjusting-angle 2 x 120°		...P18 <input type="checkbox"/>		70	P	
41	Prepared for mounting potentiometer shaft 6 mm adjusting-angle 2 x 120°					(P)	
42	Prepared for mounting potentiometer e.t.c. adjusting-angle variable.					(P)	
43	more Potentiometer e.t.c. see catalog 1/240ff		P...				
45	Electronic (Amplifier, Profi-Bus, CAN-Bus) see catalog 3/510ff		E...				
50	Cover housing				300	B	
51	Filter plug M 20 for air-condition				20		
52	Cable entry M 20 with anti-kink protection and strain relief				30		
53	Plug in socket 14-pole female insert CPC 17 wired				150		
54	Connector 14-pole male insert CPC 17 unwired				150		
55	Wiring plug in socket or connector each wired-connection						
60	Indicating labels not engraved with 2 or 4 arrows						
61	Engraving, each 10 characters						

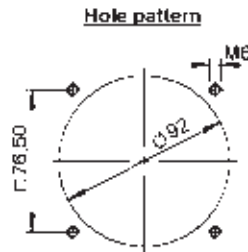
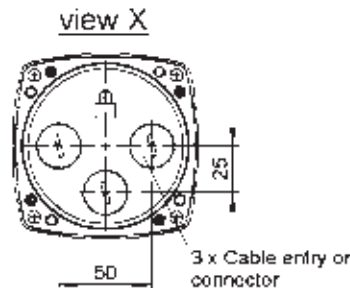
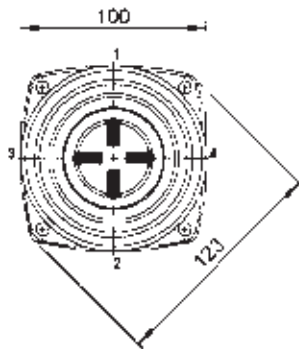
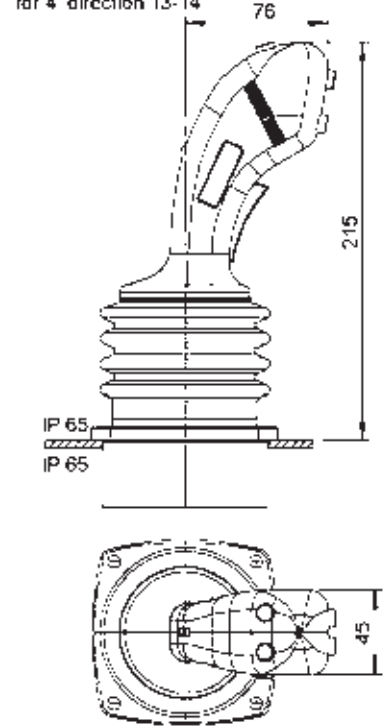
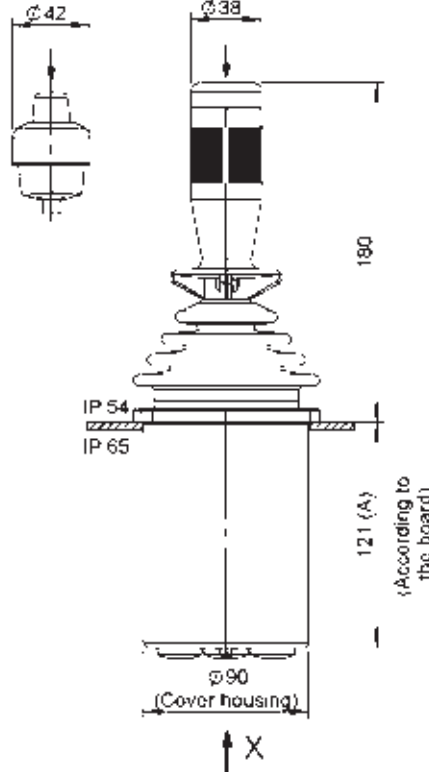
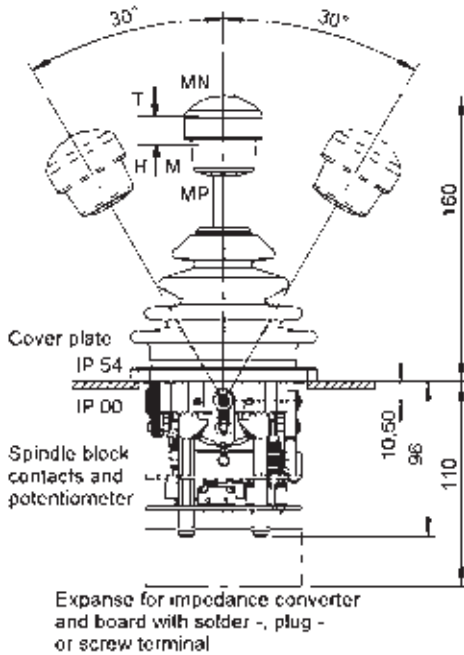


T = dead man's button
H = signal button
M = latch for mechanical zero interlock

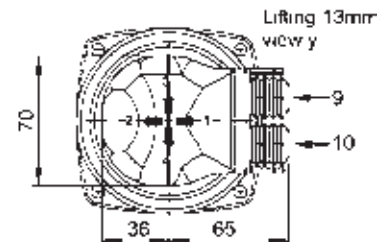
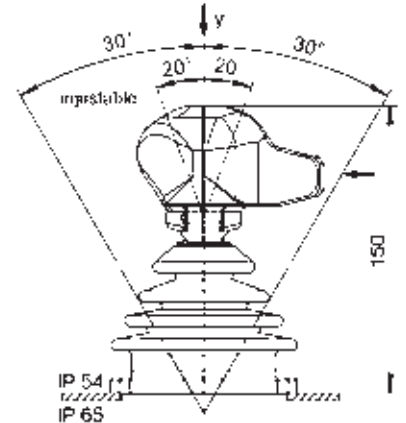
Knob solid
D = push button

Palm grip B1
B 1T = dead man's button
see catalog 1:284

Palm grip B3
see catalog 1:286
for 3 direction 11-12
for 4 direction 13-14



Palm grip B2
for 3 direction 9-10
see catalog 1:285



	V8	L	S5	P	B3K-3	Z	P+1	R	P	-B-	-X-	A050	P184	+A98	P182	
multi-axis controller	✓															Potentiometer description dir. 3-4 (7-8) see 1/240ff
installation side L o. R		✓														Arrangement dir. 3-4 (7-8) see 4/001
special control handle				✓												Potentiometer description dir. 1-2 (5-6) see 1/240ff
gate					✓											Arrangement dir. 1-2 (5-6) see 4/001
handle						✓										special please describe housing
contact dir. 1-2 (5-6)							✓									Potentiometer dir. 3-4 (7-8)
spring return dir. 1-2 (5-6)								✓								friction brake dir. 3-4 (7-8)
Potentiometer dir. 1-2 (5-6)									✓							
contact dir. 3-4 (7-8)										✓						