

Crane control unit

KST 19 swiveling



The KST 19 is an ergonomically designed swiveling crane control chair which provides a high degree of comfort.

Equipment boxes:

The equipment boxes are vertically and horizontally adjustable. The arrangement of the joysticks, indicators and control devices is customised according to customer specifications. Cabling is carried out through a cross-member in the traverse. (Terminal block)

Driver seat:

As standard the KST 19 is fitted with a KFS 10 seat. The seat itself is fitted with a pneumatic vibration absorption system complete with weight adjustment to ensure that the comfort level is fitted with arm-rests and a headrest. There is the option to have the seat covered with air-permeable artificial leather.

Cross-member with swivel base:

Swivel base has zero-clearance bearing and can be locked by a friction brake.

Surface treatment:

Base coat and textured varnish
Standard colour RAL 7035 light grey, equipment boxes RAL 7016 anthracite



Example

KST 19 -U1 -M1 -F3 -LK / KFS 10 / V64 / V64.1 / KL / X

Basic unit

KST 19 With equipment boxes

Base unit

U1 Swiveling 180° left, 90° right with friction brake
U2 Swiveling 180° left, 90° right with detent
U4 Non swiveling

Attachments

M1 Monitor mounting with monitor housing
M2 Monitor mounting with monitor mounting bracket
M3 Monitor mounting without monitor housing/ -mounting bracket
M4 Monitor mounting (Monitor < 5 kg) with monitor housing
M5 Monitor mounting (Monitor < 5 kg) with mounting adapter
F3 Footrest KBF/716
H Heater 2 x 2 kW with ventilator
LK Plate for horizontal manual adjustment for control units +/- 250 mm

Driver seat

KFS 10* (Included in the delivery!)

*Description see driver seat page 227

KST19 -U1 -M1 -F3 -LK / KFS10 / V64 / V64.1 / KL / X

Mounting for equipment boxes

- V... Multi-axis controller (see page 1)
- S... Single-axis controller (see page 90)
- D... Double-handle controller (see page 67)
- N... Control-switch (see page 128)
- ... More command and indicating devices (see page 196)

Wiring

- KL Without wiring, but terminal block built in each terminal
- KLV On terminal block 4 mm² with single wire 1 mm² each terminal
- KLV On SPS (SPS provision) with single wire 1 mm² each terminal
- KLVA External wiring single wire highly flexible 1,5 mm², 5 m long each terminal

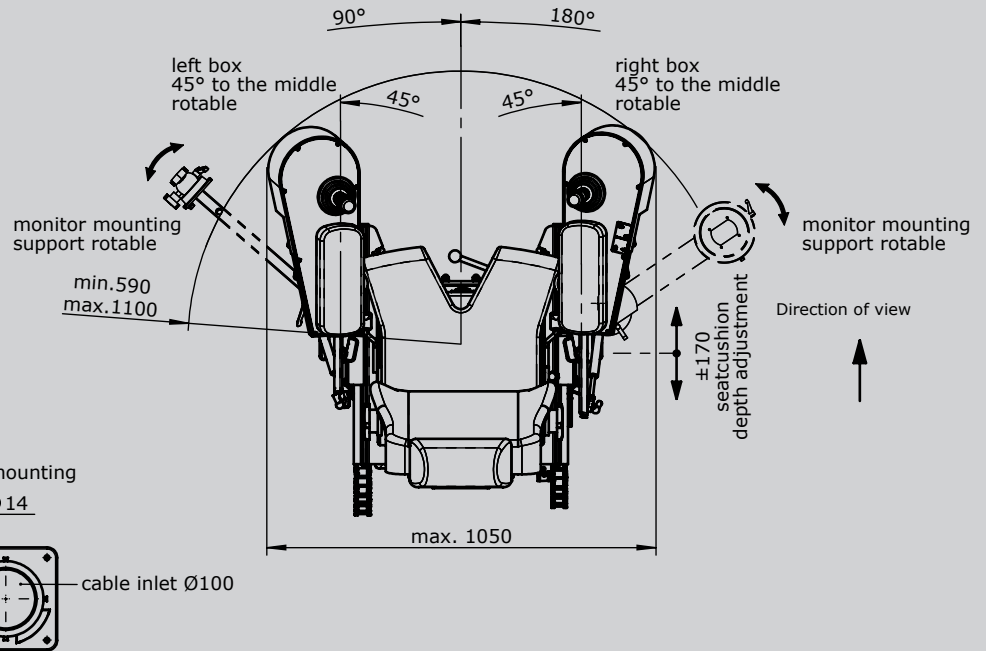
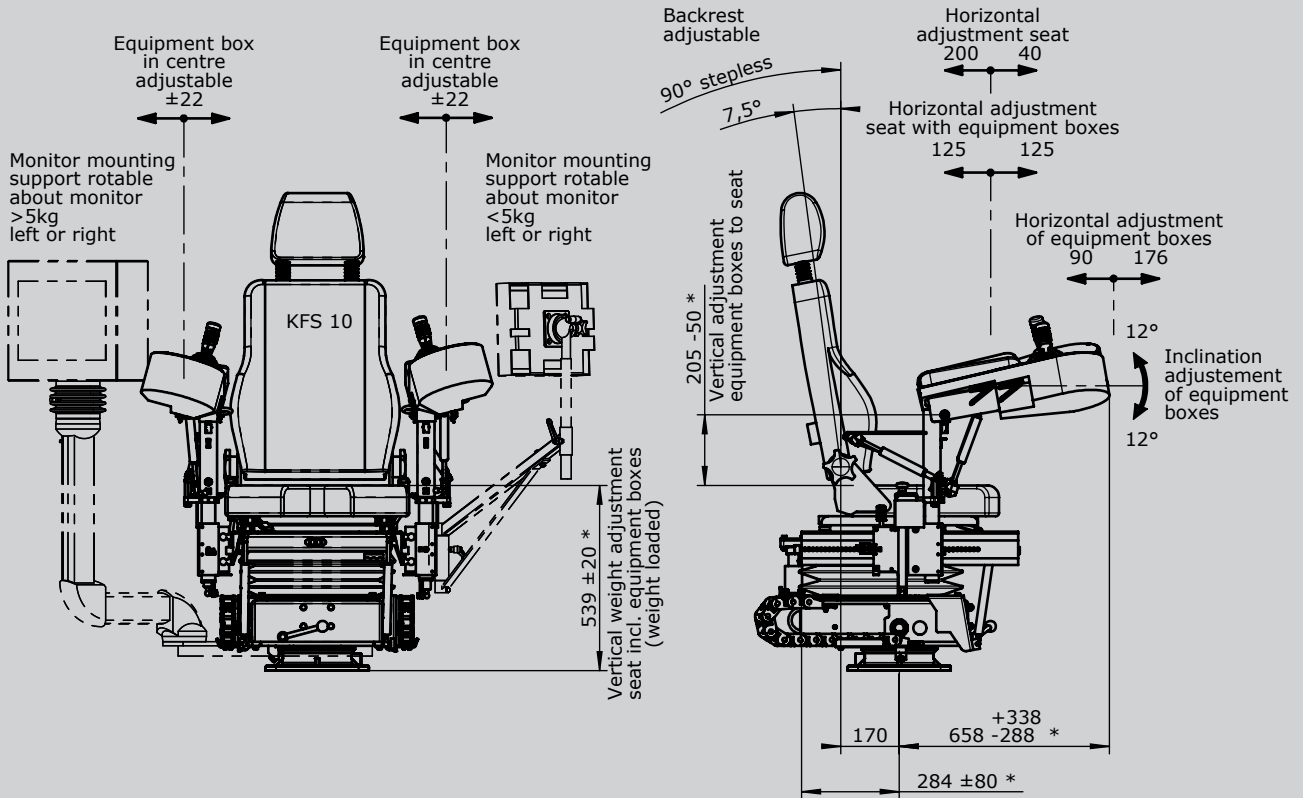
Special model

- X Special / customer specified
- X¹ Special painted

Option

- Radio remote control system

Crane control unit KST 19 swiveling



* adjustable

3

Technical details may vary based on configuration or application! Technical data subject to change without notice!