

Single-axis controller S1



The single-axis controller S1 is a robust switching device for remote control and electro-hydraulic applications. The modular design of the switching device is universally applicable. The single-axis controller is resistant to oil, maritime conditions e.g. offshore /vessels, UV radiation typically from the sun.



Technical data

Mechanical life S1	6 million operating cycles
Operating temperature	-40°C to +60°C
Storage temperature	-50°C to +80°C
Degree of protection	IP65

Example

	S1	T	- 2 Z P	- A05 P374	- X
Basic unit					
S1 1-axis					
Grip / palm grip					
T Dead man					
Axis 1 (direction 1-2)					
2 2 contacts (1,5A 24 V DC13)					
Z Spring return					
P Potentiometer					
Description axis 1 (direction 1-2)					
A05 Arrangement MSP21					
P374 Potentiometer T 375 2 x 5 kOhm					
Special model					
X Special / customer specified					

Single-axis controller S1

S1 T - 2 Z P - A05 P374 - X

Basic unit

S1 1-axis

Grip / palm grip

Knob (standard)
M Mechanical zero interlock
T Dead man
D Push button
GS8 Knob GS8

S1 T - 2 Z P - A05 P374 - X

Axis 1: direction 1-2 left

1 1 contact
2 2 contacts
3 3 contacts
4 4 contacts

Standard contact - arrangement see page 135

z.B.

A05 MS21

A050 MS21-0

A060 MS22-0

A99 contact - arrangement according customer request

Z Spring return (included in basic unit!)

R Friction brake

P Potentiometer

P372	T375	2 x 1 kOhm	I max. 1 mA
P374	T375	2 x 5 kOhm	I max. 1 mA
P274	T430	2 x 5 kOhm	I max. 1 mA

With direction track

S1 T - 2 Z P - A05 P374 - X

Special model

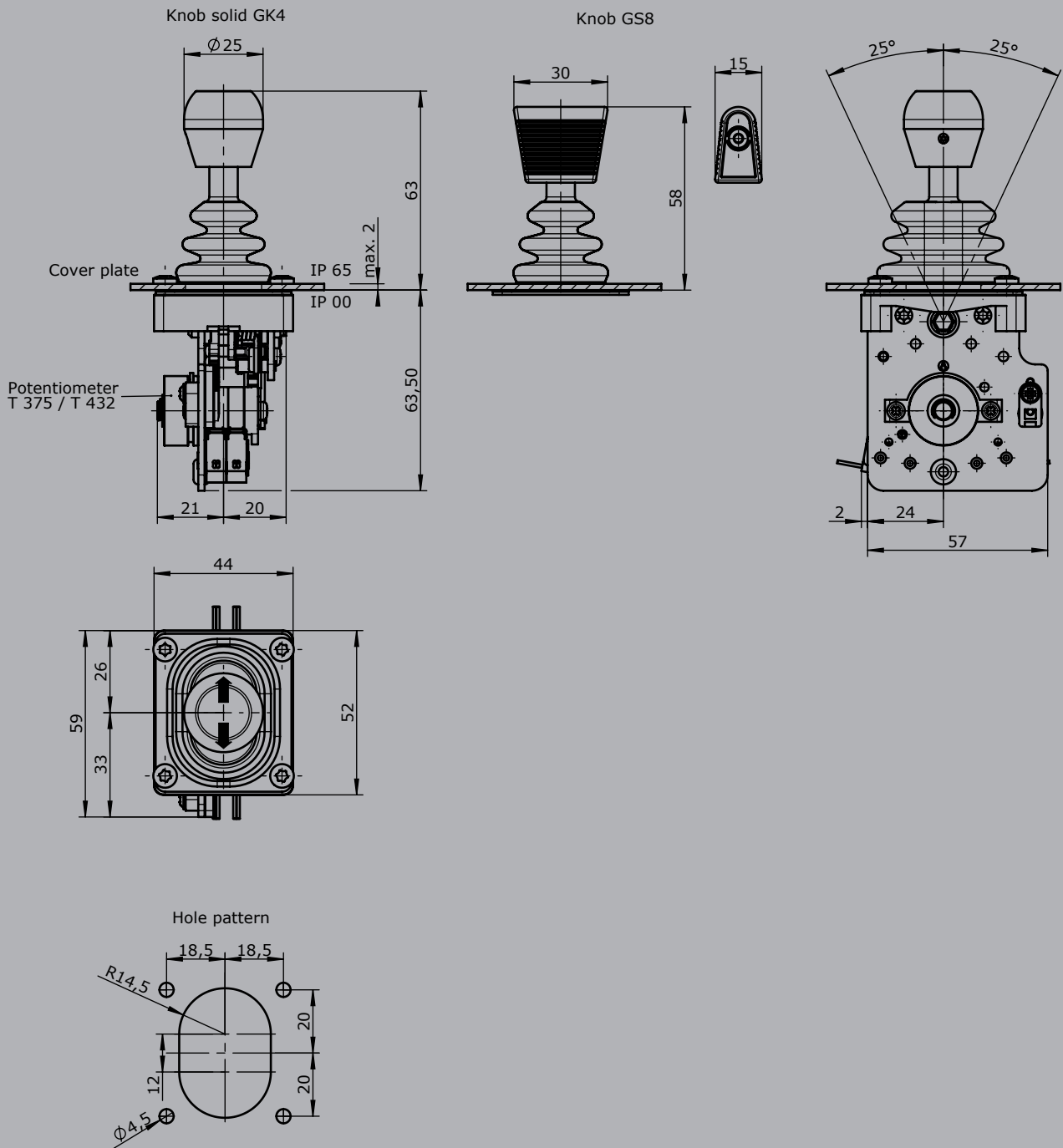
X Special / customer specified



Single-axis controller S1

T = Dead man's button

1



Technical details may vary based on configuration or application! Technical data subject to change without notice!