

Single-axis controller S22 / SS22



The single-axis controller S2/SS2 is a robust switching device for remote controlled and electrohydraulic applications. The modular design of the switching device is universally applicable. The single-axis controller is resistant to oil, maritime conditions e.g. offshore / vessels, UV radiation typically from the sun.

Technical data

Mechanical life S22	6 million operating cycles
Mechanical life SS22	10 million operating cycles
Operating temperature	-40°C to +60°C
Storage temperature	-50°C to +80°C
Degree of protection	IP54

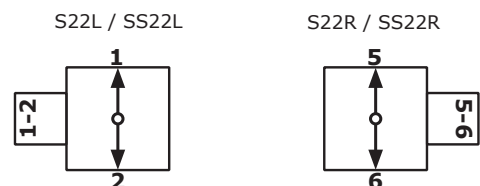


Example

	S22L	S5	T	- 3 Z P	- A050 P134	- X
Basic unit						
S22L left						
Control-handle extended						
S5 -20 mm						
Grip / palm grip						
T Dead man						
Axis 1 (direction 1-2)						
3 3 contacts (2A 250 V AC15)						
Z Spring return						
P Potentiometer						
Description axis 1 (direction 1-2)						
A050 Arrangement MSP21						
P134 Potentiometer T396 2 x 5 kOhm						
Special model						
X Special / customer specified						

	S22L	S5	T	- 3 Z P	- A050 P134	- X
Basic unit						
S22L Single-axis controller left						
S22R Single-axis controller right						
Reinforced version						
SS22L Single-axis controller left						
SS22R Single-axis controller right						
Control-handle extended						
Standard						
S5 -20 mm						
S8 +20 mm						

Identification of the installation variants with switching directions:



Technical details may vary based on configuration or application! Technical data subject to change without notice!

Single-axis controller S22 / SS22

Combination possibilities with our handles



S22L S5 T - 3 Z P - A050 P134 - X

Grip / palm grip

- Knob (standard)
- M Mechanical zero interlock
- MN Mechanical zero interlock (push down)
- T Dead man
- MT Mechanical zero interlock + dead man
- H Signal button
- MH Mechanical zero interlock + signal button
- D Push button
- MD Mechanical zero interlock + push button
- DV Flush push button
- MDV Mechanical zero interlock + flush push button
- B... Palm grip B... (see page palm grip 151)

S22L S5 T - 3 Z P - A050 P134 - X

Axis 1: direction 1-2 left / direction 5-6 right

1	1 contact	Standard contact - arrangement see page 135		
2	2 contacts	z.B.		
3	3 contacts	A98	MS0	
4	4 contacts	A05	MS21	
		A0500	MS21-00	
		<i>A99 contact - arrangement according customer request</i>		
Z	Spring return			
R	Friction brake			
(P)	Possibility of mounting potentiometer and encoder (Gessmann-types)			
P	Potentiometer	P131	T396 2 x 0,5 kOhm	I max. 1 mA
		P132	T396 2 x 1 kOhm	I max. 1 mA
		P133	T396 2 x 2 kOhm	I max. 1 mA
		P134	T396 2 x 5 kOhm	I max. 1 mA
		P135	T396 2 x 10 kOhm	I max. 1 mA
		<i>More potentiometers on request!</i>		
C	Codierer	C...Encoder see page 1414		

S22L S5 T - 3 Z P - A050 P134 - X

Special model

X Special / customer specified
X1 Switching run 2-0-2

Attachments

Indicating labels
Indicating labels with engraving

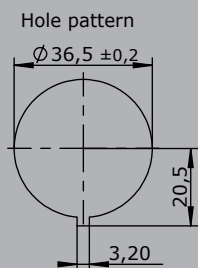
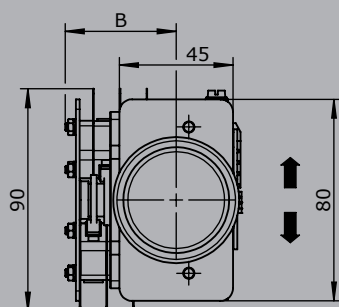
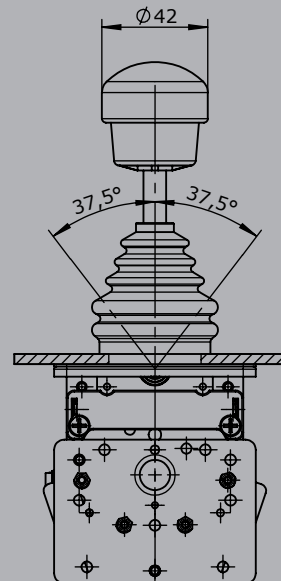
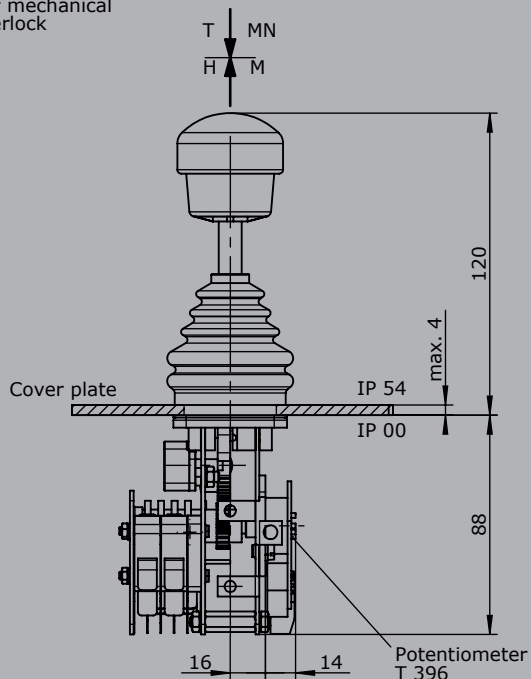
1

Single-axis controller

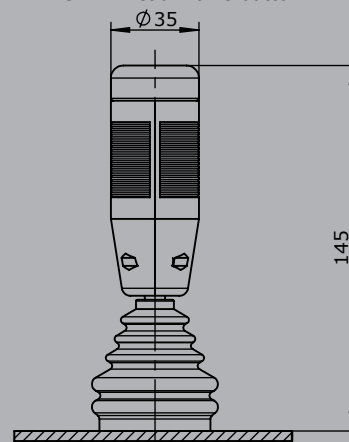
S22 / SS22

T = Dead man's button
H = Signal button
M = Latch for mechanical zero interlock

Knob solid
D = Push button



Palm grip B5
B5 T = Dead man's button



Type	No. of contacts	Dim. B
1	1	25
2	2	31
3	3	36
4	4	42

