

Single-axis controller S26



The single-axis controller S26 is a hall sensor switching device designed for electro-hydraulic and remote controlled hydraulic. The modular design of the switching device is universally applicable. The single-axis controller is resistant to oil, maritime conditions e.g. offshore /vessels, UV radiation typically from the sun.

Technical data

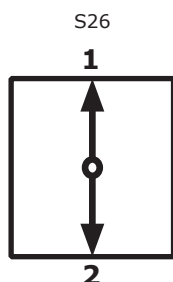
Mechanical life S26	6 million operating cycles
Operating temperature	-40°C to +60°C
Storage temperature	-50°C to +80°C
Degree of protection	IP54, electronic assembly IP67



	S26	T	- Z	- E...	- S...	- X
Basic unit						
S26 1-axis						
Grip / palm grip						
Knob						
M Mechanical zero interlock						
T Dead man						
H Signal button						
D Push button						
B... Palm grip B... (see page palm grip 151)						
Z Spring return						
R Friction brake						
Interface (description on the following pages)						
E0xx Digital output						
E1xx Voltage output						
E2xx Current output						
Plug connectors						
S.. Standard plug connectors (see page 133)						
Special model						
X Special / customer specified						

Identification of the installation variants

with switching directions:



Technical details may vary based on configuration or application! Technical data subject to change without notice!

Combination possibilities with our handles



1

Digital output	
Supply voltage	9-32 V DC
Current carrying capacity	Direction signal 150 mA Zero position signal 500 mA
Wiring	Cable 500 mm long without plug connector Optional with plug connector (<i>standard plug connectors see page 133</i>)
2 direction signals + 1 zero position signal (galvanically isolated)	
	1 axis
	E001 1

Voltage output (not stabilized)	
Supply voltage	4,75-5,25 V DC
Current carrying capacity	Direction signal 8 mA
Wiring	Cable 500 mm long without plug connector Optional with plug connector (<i>standard plug connectors see page 133</i>)
0,5...2,5...4,5 V redundant + 2 direction signals	
	1 axis
	E104 1
Output options	
Characteristic:	
Inverse dual	1
Dual	2
Inverse dual with dead zone +/- 3°	3
Dual with dead zone +/- 3°	4

Voltage output	
Supply voltage	9-32 V DC (*11,5-32 V)
Current carrying capacity	Direction signal 150 mA Zero position signal 500 mA
Wiring	Cable 500 mm long without plug connector Optional with plug connector (<i>standard plug connectors see page 133</i>)
0,5...2,5...4,5 V redundant + 2 direction signals + 1 zero position signal (galvanically isolated)	
	1 axis
	E112 1
0...5...10 V redundant + 2 direction signals + 1 zero position signal (galvanically isolated), supply voltage 11,5 - 32 V DC	
	1 axis
	E132 1
10...0...10 V + 2 direction signals + 1 zero position signal (galvanically isolated), supply voltage 11,5 - 32 V DC, sensor redundant with error monitoring and error signal	
	1 axis
	E136 1
Output options	
Characteristic:	
Inverse dual *1	1
Dual *1	2
Inverse dual with dead zone +/- 3° *1	3
Dual with dead zone +/- 3° *1	4
*1 not combinable with output E136X	
Single *2	5
Single with dead zone *2	6
*2 not combinable with output E112X and E132X	

Voltage output with other value on request!

Technical details may vary based on configuration or application! Technical data subject to change without notice!

Single-axis controller S26

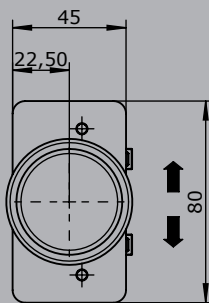
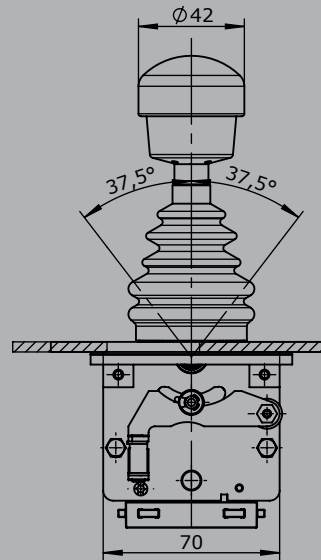
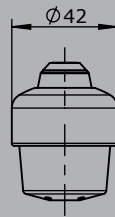
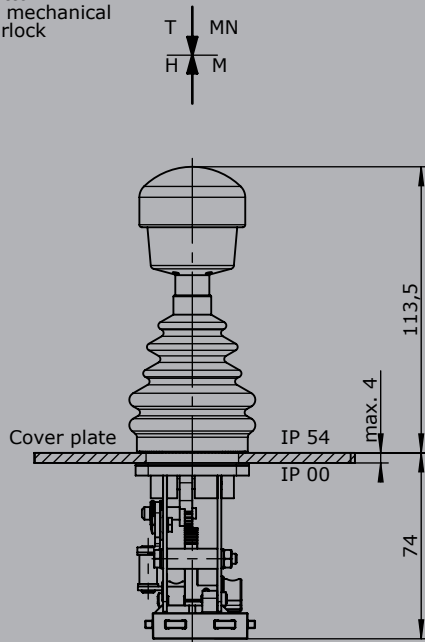
Current output		
Supply voltage	9-32 V DC	
Current carrying capacity	Direction signal 150 mA	
	Zero position signal 500 mA	
Wiring	Cable 500 mm long without plug connector	
	Optional with plug connector (<i>standard plug connectors see page 133</i>)	S
0...10...20 mA + 2 direction signals + 1 zero position signal (galvanically isolated), sensor redundant with error monitoring and error signal		
	1 axis	E206 1
20...0...20 mA + 2 direction signals + 1 zero position signal (galvanically isolated), sensor redundant with error monitoring and error signal		
	1 axis	E208 1
4...12...20 mA + 2 direction signals + 1 zero position signal (galvanically isolated), sensor redundant with error monitoring and error signal		
	1 axis	E214 1
20...4...20 mA + 2 direction signals + 1 zero position signal (galvanically isolated), sensor redundant with error monitoring and error signal		
	1 axis	E216 1
	Output options	
	Single	5
	Single with dead zone +/-3°	6
<i>Current output with other value on request!</i>		



Single-axis controller S26

T = Dead man's button
H = Signal button
M = Latch for mechanical zero interlock

Knob solid
D = Push button



Palm grip B5
B5 T = Dead man's button

