

Multi-axis controller V11



The multi-axis controller V11 is a robust switching device for crane and hoisting applications. The modular design enables the switching device to be used universally. The V11 is resistant to oil, maritime conditions e.g. offshore / vessels, UV radiation typically from the sun.

Technical data

Mechanical life	10 million operating cycles
Operation temperature	-40°C to +60°C
Storage temperature	-50°C to +80°C
Degree of protection	IP54 front



1

	V11L	S5	P	T	-01 Z P	+03A R	-A05 P324	+A110	-X
Basic unit									
V11L 2-axis left									
Control-handle extended									
S5 -20 mm									
Gate									
P Cross gate									
Grip / palm grip									
T Dead man									
Axis 1 (direction 1-2)									
01 2 contacts (2A 250 V AC15)									
Z Spring return									
P Potentiometer									
Axis 2 (direction 3-4)									
03A 6 contacts (4A 250 V AC15)									
R Friction brake									
Description axis 1 (direction 1-2)									
A05 Arrangement MS21									
P324 Potentiometer T365 2 x 5 kOhm									
Description axis 2 (direction 3-4)									
A110 Arrangement MS24-0									
Special model									
X Special / customer specified									

Combination possibilities with our handles



V11L S5 P T - 01 Z P + 03A R P - A05 P324 + A110 P325 - X

Basic unit

V11L	2-axis left	V11L
V11R	2-axis right	V11L
V11.1L	1-axis left	V11L
V11.1R	1-axis right	V11L

Control-handle extended*

	Standard 120 mm	V11L
S5	-20 mm	V11L
S8	+20 mm	V11L

**Only available in combination with handle!*

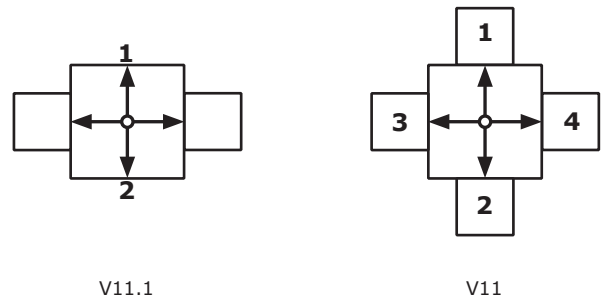
Gate

P	Cross gate	V11L
P X	Special gate	V11L

Grip / palm grip

	Knob (included in basic unit!)	V11L
M	Mechanical zero interlock	V11L
MN	Mechanical zero interlock (push down)	V11L
T	Dead man	V11L
H	Signal button	V11L
D	Push button	V11L
DV	Flush push button	V11L
B...	Palm grip B... (see page palm grip 151)	V11L

Identification of the installation variants with switching directions:



Technical details may vary based on configuration or application! Technical data subject to change without notice!

V11L S5 P T - 01 Z P + 03A R P - A05 P324 + A110 P325 - X

Axis 1: direction 1-2 left / direction 5-6 right

(Standard contacts gold-plated 2A 250 V AC15)

01	<input type="checkbox"/>	2 contacts	Standard contact - arrangement see page 135		
02	<input type="checkbox"/>	4 contacts	e.g.		
03	<input type="checkbox"/>	6 contacts	A980	MS00	
			A05	MS21	
			A0500	MS21-00	
			A110	MS24-0	
	<input checked="" type="checkbox"/>	Silver contacts (4A 250 V AC15)	A99 contact - arrangement according customer request		
Z		Spring return			
R		Friction brake			
(P)		Possibility of mounting potentiometer and encoder (Gessmann-types)			
P		Potentiometer	P324	T365 2 x 5 kOhm	I max. 1 mA
			P325	T365 2 x 10 kOhm	I max. 1 mA
			<i>More potentiometers on request!</i>		
C		Encoder	C... Encoder see page 141		

If both axis identical, it`s enough to describe one axis!
example: ...A05P324 + A05P324 => A05P324

V11L S5 P T - 01 Z P + 03A R P - A05 P324 + A110 P325 - X

Axis 2: direction 3-4 left / direction 7-8 right

(not applied for V11.1)

(Standard contacts gold-plated 2A 250 V AC15)

01	<input type="checkbox"/>	2 contacts (2A 250V AC15)	Standard contact - arrangement see page 135		
02	<input type="checkbox"/>	4 contacts (2A 250V AC15)	z.B.		
03	<input type="checkbox"/>	6 contacts (2A 250V AC15)	A980	MS00	
			A05	MS21	
			A0500	MS21-00	
			A110	MS24-0	
	<input checked="" type="checkbox"/>	Silver contacts (4A 250 V AC15)	A99 contact - arrangement according customer request		
Z		Spring return			
R		Friction brake			
(P)		Possibility of mounting potentiometer and encoder (Gessmann-types)			
P		Potentiometer	P324	T365 2 x 5 kOhm	I max. 1 mA
			P325	T365 2 x 10 kOhm	I max. 1 mA
			<i>More potentiometers on request!</i>		
C		Encoder	C... Encoder see page 150		

V11L S5 P T - 01 Z P + 03A R P - A05 P324 + A110 P325 - X

Special model

X Special / customer specified

Attachments

Indicating labels

Indicating labels with engraving

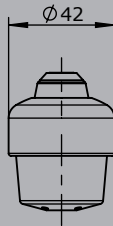
Multi-axis controller V11

1

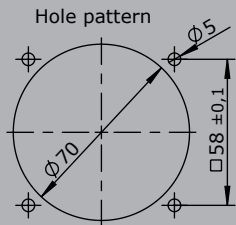
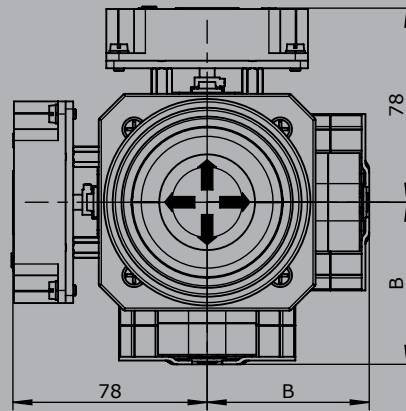
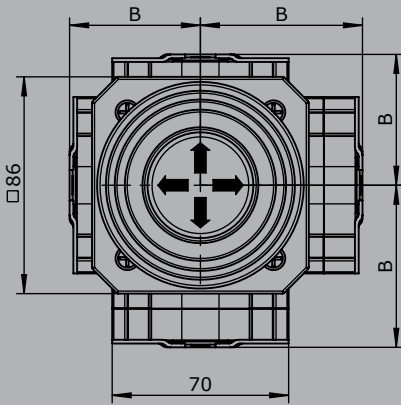
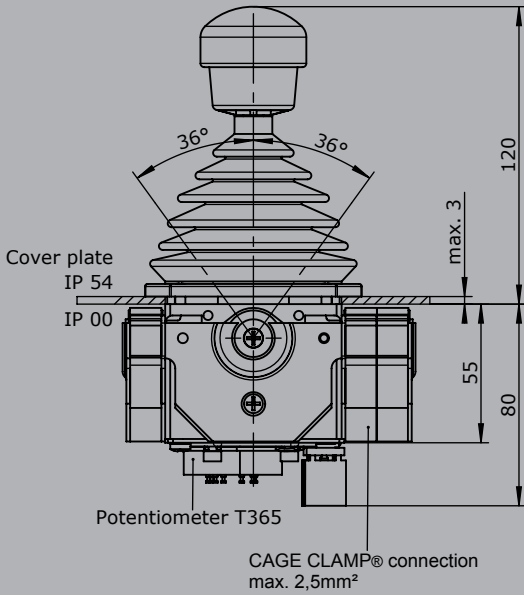
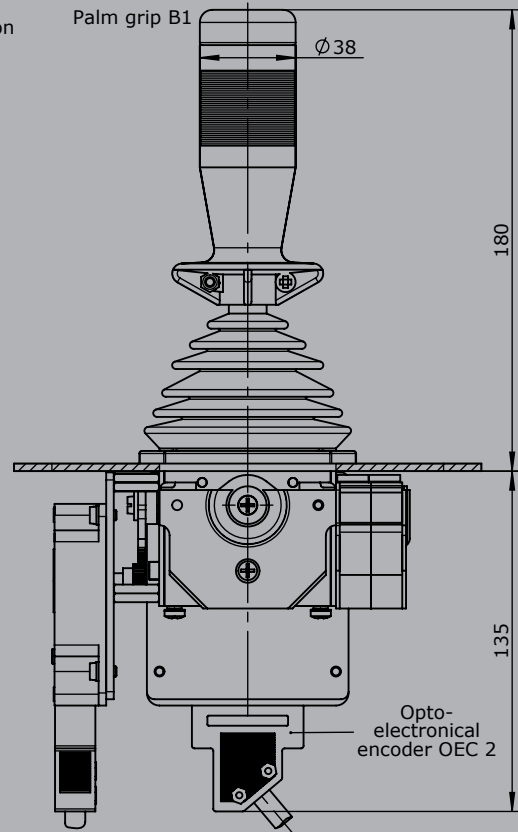
T = Dead man's button
H = Signalbutton
M = Latch for mechanical zero interlock



Knob solid
D= Push button



Palm grip B1



Type	No. of contacts	Dim. B
01	2	51
02	4	64
03	6	76