

Multi-axis controller V14



The multi-axis controller V14 is a robust switching device for remote control and electro-hydraulic applications. The modular design enables the switching device to be used universally. The V14 is resistant to oil, maritime conditions e.g. offshore / vessels, UV radiation typically from the sun.

Technical data

Mechanical life V14	6 million operating cycles
Operation temperature	-40°C to +60°C
Storage temperature	-50°C to +80°C
Degree of protection	IP65



Example

	V14L	S8	P	T	-01 Z C	+03 R	-A05 C61	+A110	-X
Basic unit									
V14L 2-axis left									
Control-handle extended									
Standard									
S8 +20 mm									
<i>*Only available in combination with handle!</i>									
Gate									
P Cross gate									
Grip / Palm grip									
T Dead man									
Axis 1 (direction 1-2)									
01 2 contacts (2A 250 V AC15)									
Z Spring return									
C Mechanical encoder									
Axis 2 (direction 3-4)									
03 6 contacts (2A 250 V AC15)									
R Friction brake									
Description axis 1 (direction 1-2)									
A05 Arrangement MSP21									
C61 Mechanical encoder MEC 1-2									
Description axis 2 (direction 3-4)									
A110 Arrangement MS24-0									
Special model									
X Special / customer specified									

Technical details may vary based on configuration or application! Technical data subject to change without notice!

V14L S8 P T - 01Z C + 03 R - A05 C61 + A110 - X

Z	Spring return (included in basic unit!)		
R	Friction brake		
C	Mechanical encoder	C61	MEC 1-2
			EA/02-10
			Potentiometer track
			Direction tack
			EA/10-10
			Potentiometer track
			Direction track
			EA/17-10
			Potentiometer track
			Direction track
			EA/09-10
			6 Bit Gray Code
			ER/36-10
			Current output 20...4...20 mA
			ER/36-12
			Current output 20...0...20 mA
			ER/36-11
			Voltage output 10...0...10 V
H	Hall-Potentiometer	E14811	0,5...2,5...4,5 V / 4,5...2,5...0,5 V

If both axis identical, it`s enough to describe one axis!

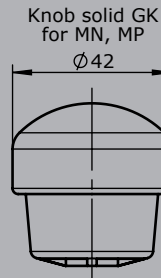
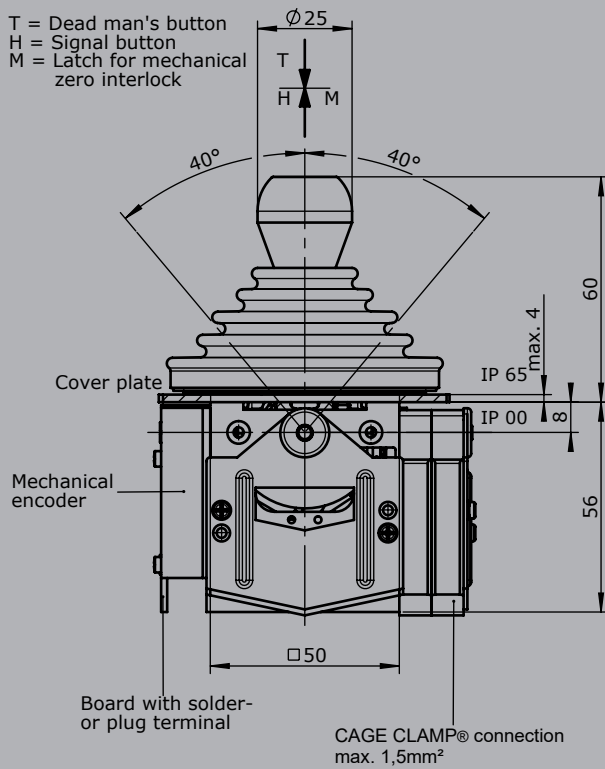
Example: ...A05C61 + A05C61 => A05C61

V14L S8 P T - 01Z C + 03 R - A05 C61 + A110 - X

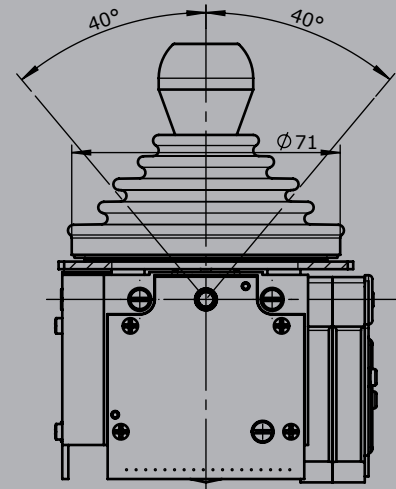
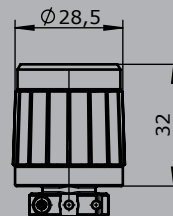
Axis 2: direction 3-4 left / direction 7-8 right				(not applied for V14.1L and V14.1R)
See description axis 1!				
Special model				
X	Special / customer specified			

Multi-axis controller V14

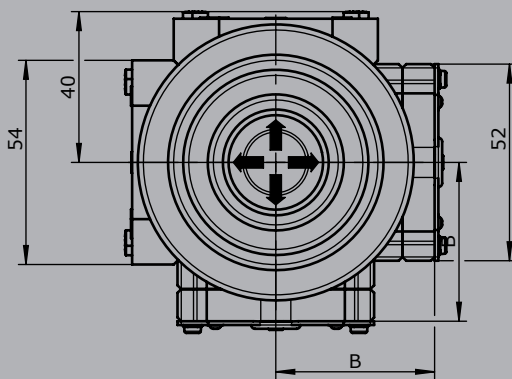
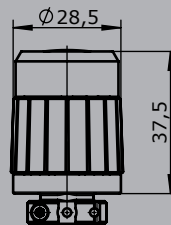
T = Dead man's button
H = Signal button
M = Latch for mechanical zero interlock



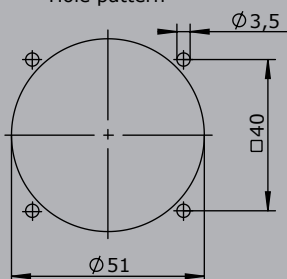
Twist grip



Twist grip with Push button



Hole pattern



Type	No. of contacts	Dim. B
01	2	36
02	4	45
03	6	54

