

# Multi-axis controller V21



The multi-axis controller V21 is a robust hallsensor switching device for electro-hydraulic applications. The V21 is especially suitable for installation in our ball handles. The multi-axis controller is resistant to oil, maritime conditions e.g. offshore / vessels, UV radiation typically from the sun.

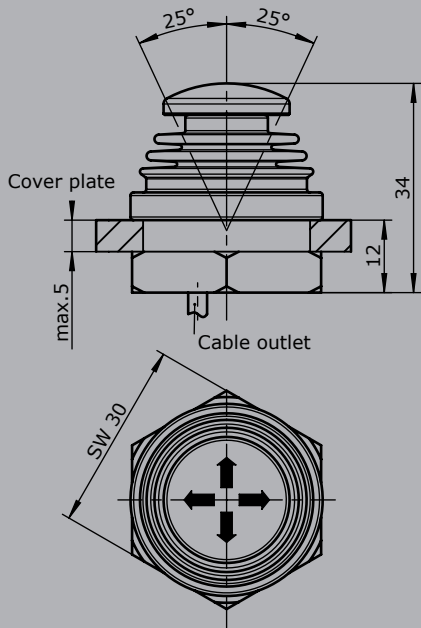
## Technical data

Mechanical life	5 million operating cycles
Operating force	1,6 to 3,5N
Supply voltage	5V DC stabilized
Operation temperature	-40°C to +80°C
Degree of protection	IP67

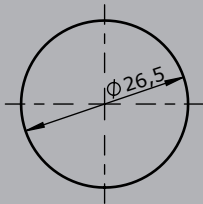


		V21	P	-1	-E1032	-X
<b>Basic unit</b>						
V21.1	1-axis, installation from top with fixing nut					
V21	2-axis, installation from top with fixing nut					
V21.1A	1-axis, with flange, installation from below					
V21A	2-axis, with flange, installation from below					
V21.1B	1-axis, with flange, installation from top					
V21B	2-axis, with flange, installation from top					
V21.1H13	1-axis with additional rotating axis, installation from below					
V21H13	2-axis with additional rotating axis, installation from below					
<b>Gate</b>						
P	Cross gate					
P X	Special gate					
<b>Knob</b>						
	Standard					
1	KBAD 980					
2	KBAD 1658					
3	KBAD 1690					
<b>Interface</b>						
Voltage output						
0,5...2,5...4,5 V redundant at $U_b = 5\text{ V}$						
	1 axis		E103	1		
	2 axis			2		
	3 axis			3		
	Characteristic:					
	Inverse dual			1		
	Dual			2		
<b>Special model</b>						
X	Special / customer specified					

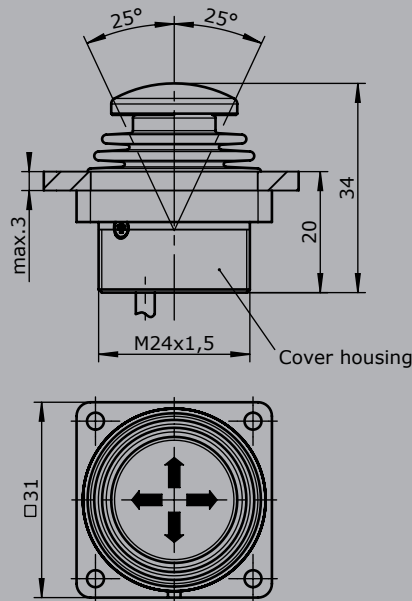
Standard  
installed from the top



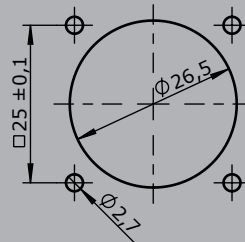
Hole pattern



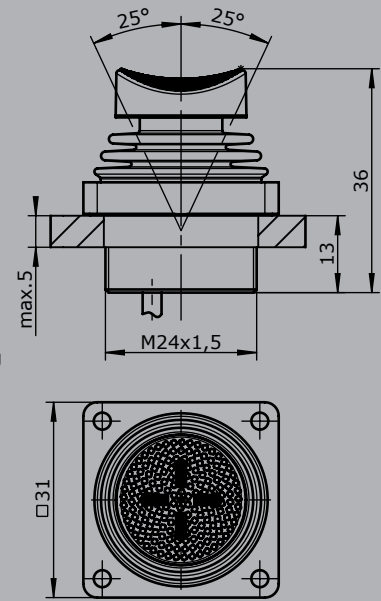
Version A with flange  
installed from below



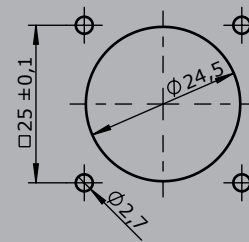
Hole pattern



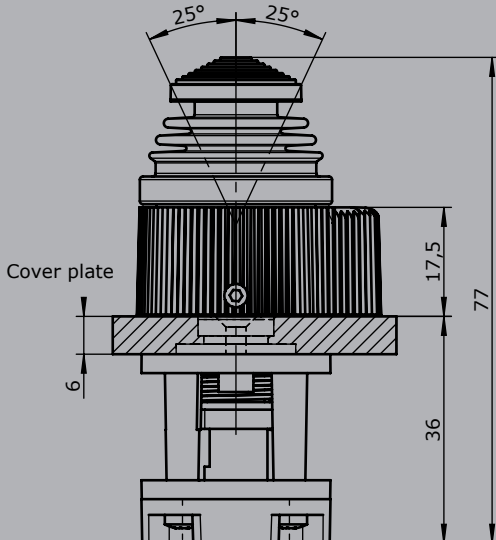
Version B with flange  
installed from the top  
with actuator KBAD 980



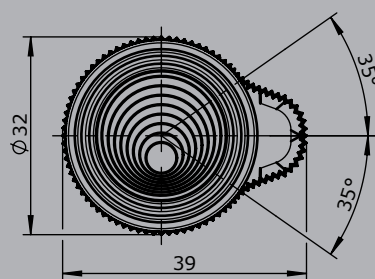
Hole pattern



Version  
with actuator KBAD 1690



View from the top



Hole pattern

