

Multi-axis controller VA6



The multi-axis controller VA6 is available in either single-axis or multi-axis options and is a robust explosion proof controller used commonly in crane and hoisting applications. The modular design enables the switching device to be used universally. The VA6 is resistant to oil, maritime conditions e.g. offshore / vessels, UV radiation typically from the sun.

Technical data

Mechanical life VA6	10 million operating cycles
Operation temperature	-40°C to +60°C
Storage temperature	-50°C to +80°C
Degree of protection	IP54 front IP66 (microswitch and potentiometer)
Identifications	⊕ II 2G IIC T5 or T6 ⊕ II 2D T85° or T95°C
Group of devices	II
Equipment category	2D and 2G
Certificate	OBAC 17 ATEX 0126X

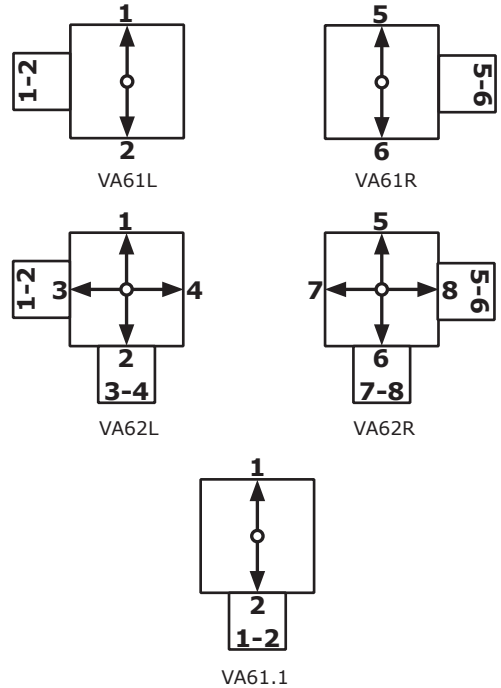


	VA62L	S5	P	T	-01 Z P	+03 R	-A05 P144	+A110
Basic unit								
VA62L 2-axis left								
Control-handle extended								
S5 -20 mm								
Gate								
P Cross gate								
Grip / palm grip								
T Dead man								
Axis 1 (direction 1-2)								
01 2 contacts								
Z Spring return								
P Potentiometer								
Axis 2 (direction 3-4)								
03 6 contacts								
R Friction brake								
Description axis 1 (direction 1-2)								
A05 Arrangement MS21								

1

	VA62L	S5	P	T
Basic unit				
VA61L	1-axis left			
VA61R	1-axis right			
VA61.1	1-axis			
VA62L	2-axis left			
VA62R	2-axis right			
Control-handle extended				
	Standard 180 mm			
S3	-40 mm			
S5	-20 mm			
S8	+20 mm			
Gate				
P	Cross gate			
P X	Special gate			
Grip / palm grip				
	Knob (included in basic unit!)			
M	Mechanical zero interlock			
MN	Mechanical zero interlock (push down)			
T	Dead man			
H	Signal button			
D	Push button			
DV	Flush push button			

**Identification of the installation variants
with switching directions:**



	VA62L	S5	P	T	-01 Z P	+ 03 R	A05	P144	+ A110
Axis 1: direction 1-2 left / direction 5-6 right									
(contacts gold-plated 2A 250V AC15, Ex II 2G Ex d IIC T6, connecting cable 6 m)									
01	2 contacts								
02	4 contacts								
03	6 contacts								
04	8 contacts								
05	10 contacts								
06	12 contacts								
Z	Spring return								
R	Friction brake								
P	Potentiometer Ex	P144			T1350 2 x 5 kOhm				I max. 1 mA
		P145			T1350 2 x 10 kOhm				I max. 1 mA
					Ex II 2G Ex d IIC T6 Gb				
					Connecting cable 6 m				

If both axis identical, it`s enough to describe one axis!
 Example A05P134 + A05P134 => A05P134

V62L S5 P T -01 Z P +03A R C -A05 P134 +A110 C01 -X

Axis 2: direction 3-4 left / Direction 7-8 right (not applicable for V/VV61, V/VV61.1, V/VV64.1)

(Standard contacts gold-plated 2A 250 V AC15)

01	2 contacts	Standard contact - arrangement see page 135	
02	4 contacts	z.B.	
03	6 contacts	A980	MS00
04	8 contacts	A05	MS21
05	10 contacts	A0500	MS21-00
06	12 contacts	A110	MS24-0

A = Silver contacts (4A 250 V AC15) A99 contact - arrangement according customer request

- Z Spring return
- R Friction brake
- (P) Possibility of mounting potentiometer and encoder (Gessmann-types)

P	Potentiometer	P131	T396 2 x 0,5 kOhm	I max. 1 mA
		P132	T396 2 x 1 kOhm	I max. 1 mA
		P133	T396 2 x 2 kOhm	I max. 1 mA
		P134	T396 2 x 5 kOhm	I max. 1 mA
		P135	T396 2 x 10 kOhm	I max. 1 mA

More potentiometers on request!

C Encoder C... Encoder see page 141

V62L S5 P T -01 Z P +03A R C -A05 P134 +A110 C01 -X

Special model

X Special /customer specified

Attachments

- Indicating labels
- Indicating labels with engraving

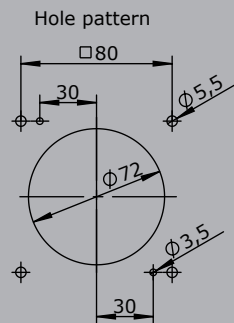
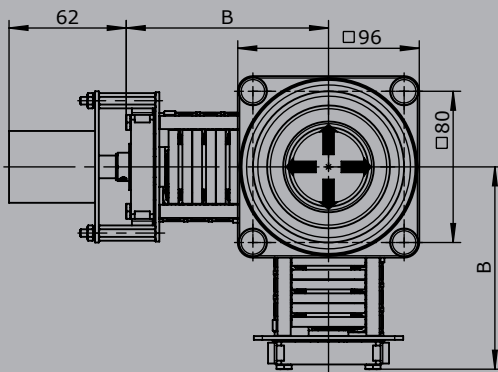
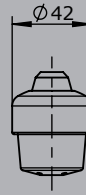
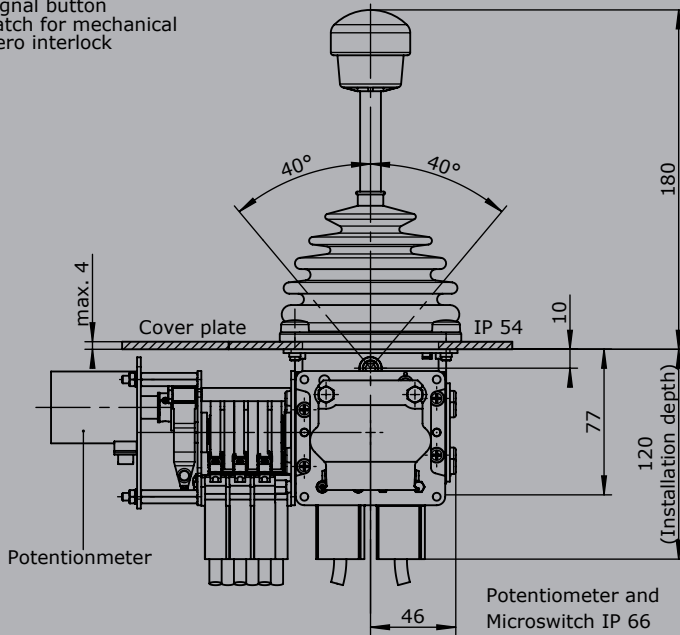


Multi-axis controller VA6

1

T = Dead man's button
H = Signal button
M = Latch for mechanical zero interlock

Knob solid
D = Push button



Type	No. of contacts	Dim. B
01	2	82
02	4	94
03	6	107
04	8	119
05	10	132
06	12	144

Technical details may vary based on configuration or application! Technical data subject to change without notice!